


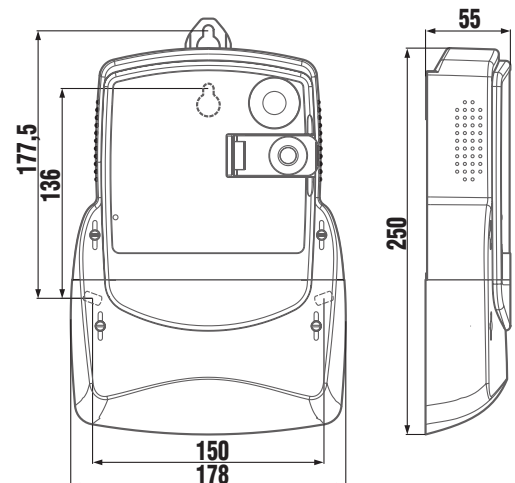


kWh	kvarh	kVAh	Active, Reactive and Apparent Energy
DIN	DIN housing		
			Multiple connection types
CT	Direct or current transformer connection		
IP54	Ingress protection		
	Load profile		
	Optical port		
	Real-time clock		
	Event log		
RS485	RS485 interface		
tariff 4	Multi-rate registration		
MID B	IEC 1	Accuracy class	
	Magnetic field detection		
	Photovoltaic ready		
	Maximum demand		
	4 Quadrant measurement		


With a future-proof design the Polyphase MT174 is ready to suit many diverse customer requirements. High quality manufacturing process enables the meter to deliver the performance, expected in residential and small commercial environments. It includes a wide variety of functionalities:

- Extensive anti-tampering features
- Photovoltaic friendly design
- RS communication interface (RS485)
- Up to four tariff schemes
- Extended load profile
- Time-of-use (TOU) – internal tariffication

Meter dimensions



BASIC MT174 Polyphase multi-tariff meter

		MT174-D1 DIN	MT174-D2 DIN	MT174-T1 DIN
Type overview				
Network	Low voltage	●	●	●
Connection type	1P2W	●	●	
	3P3W	●	●	
	3P4W	●	●	●
Communication		RS485, Optical port		
Input – output options		Output S0, Output OPTOMOS, Tariff input (1 or 2)		
Technical specifications				
Nominal voltage U_n		3 x 120 V, 3 x 230/400 V, 3 x 230 V, 230 V, 3 x 400 V		3 x 230/400 V, 3 x 230 V
Voltage range		0.8 – 1.15 U_n		
Reference frequency		50 Hz or 60 Hz		
Current	Base current I_b	5 A or 10 A		1 A
	Starting current I_{st}	5A => Class 2: 0.025 A, Class 1: 0.02 A 10A => Class 2: 0.05 A, Class 1: 0.04 A		2 mA
	Maximal current I_{max}	85 A	120 A	6 A
Accuracy class	Active energy	Class 2 or Class 1 (IEC 62053 - 21 or IEC 62053 - 23) A or B (EN 50470 - 3)		
	Reactive energy	Class 3 or Class 2		
	Apparent energy	Class 3 or Class 2		
Real-time clock	Accuracy	Better than ± 3 min/year at 23 °C		
	Back-up power supply	Li battery: 5 years life time up to 20 years		
Temperature ranges (IEC 62052 - 11)	Operation	-40 °C ... +60 °C; extended -40 °C ... +70 °C		
	Storage	-40 °C ... +80 °C		
Ingress protection IEC 60529		IP 54		
Liquid Crystal Display				
Basic functionality				
Measurement	Two way ("energy") measurements, Active, Reactive and Apparent energy and demand in 3-phase 4- and 3-wire networks, Measurement by phases and polyphase, quantities of measurement: Voltages by phases, Currents by phases, Power factors by phases, Frequency, Measurement of instantaneous power			
Tariff functions	Time-of-use (TOU) measurement of active energy and maximum demand (up to 4 tariffs, 10 seasons, 10 weekly programs, 10 daily definitions, 10 tariff change over inside individual daily tariff programs, 46 holidays)			
Load profiles	Load profile recorder with up to 8 channels, Possibility to set the recording period on 5, 10, 15, 30 or 60 minutes			
Communication	IEC 1107 compliance, Two communication interfaces: Optical port, RS485			
Real-time clock (RTC)	Compliant with IEC 62054 - 21 standard, RTC with calendar, based on 32 kHz quartz crystal, RTC accuracy: better than ± 3 min/year, operation reserve: 5 years, expected Li battery life time: 20 years, Counter of elapsed time of RTC operation, Li battery enables data display on LCD when meter is in no-power state			
Specific				
Backlit LCD display, Detection of opening main and terminal cover, External magnetic field detector, Detection of meter wiring, Secured communication channels, "Scroll" pushbutton and covered "Reset" pushbutton				
Optional				
RTC, Load profile, RS485 interface, Inputs/Outputs				



Iskraemeco, Energy Measurement and Management
 4000 Kranj, Savska loka 4, Slovenia
 Telephone: +386 4 206 40 00
<http://www.iskraemeco.com>, e-mail: info@iskraemeco.com